

## Data sheet

Commercial Art.No.: 05.543.7202.0

male contact 1,5 mm<sup>2</sup> Ag



Commercial Art.No.	05.543.7202.0
EAN	4015573083059
Order Unit	200

## Technical data

### general

wire strip length	7 mm
min. conductor cross section flexible wire	1.5 mm <sup>2</sup>
max. conductor cross section flexible wire	1.5 mm <sup>2</sup>
min. UL/CSA wire diameter flexible wire	16 AWG
max. UL/CSA wire diameter flexible wire	16 AWG
connection type	crimp
material	brass
massive contact	yes
contact pin diameter	2.5 mm
flammability class of insulation material acc. with UL94	other
contact resistance	≤ 1.5 mOhm

### classification

ECLASS 11	
ECLASS 8.1	27440204
ETIM 9.0	EC000796
ETIM 8.0	EC000796
ETIM 7.0	EC000796
ETIM 6.0	EC000796
ETIM 5.0	EC000796
ETIM 4.0	EC000796
ETIM 3.0	EC000796

### product compliance

ROHS conformity status	compliant/exempted
------------------------	--------------------

ROHS exceptions	III-6(c)
REACH-SVHC conformity status	Duty-To-Declare
REACH-SVHC substances	Lead
REACH-SVHC CAS numbers	7439-92-1

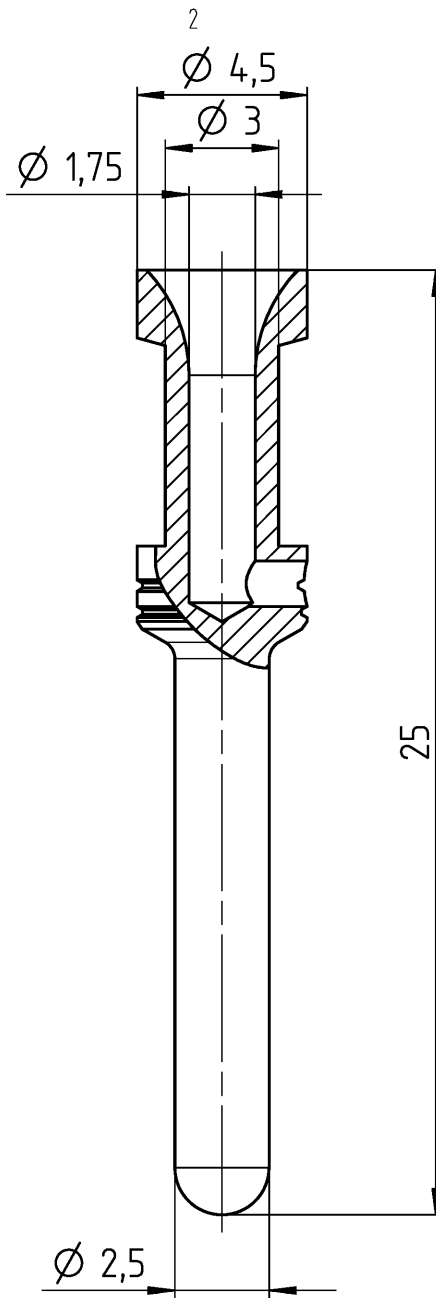
## Accessories

Commercial Art.No.:	Article-type description:	Description:
05.502.2100.0	crimping die B	Crimp dies for revos crimping tool, usable for crimp-contacts with a cross section of 0.14-1.0 mm <sup>2</sup> , 1.5 mm <sup>2</sup> , 2.5 mm <sup>2</sup> and 4.0 mm <sup>2</sup>
95.101.0800.0	basic crimping tool .	Crimping tool kit
05.502.3500.0	extraction tool 500/690V-SER.	Extraction tool for turned contacts with a diameter of 2.5 mm
05.502.3300.0	contact positioner 3	Contact positioner 3

A  
Weitergabe sowie Vervielfältigung dieses Dokuments, Verwertung und Mitteilung seines Inhalts sind verboten, soweit nicht ausdrücklich gestattet.  
The reproduction, distribution and utilization of this document as well as the communication of its contents to others without express authorization is prohibited.

B  
These dimensions will be especially checked at delivery  
Only inspection dimensions  
With JE marked dimensions are only valid for internal use

D  
Diese Maße werden bei Abnahme besonders geprüft  
Ausschließlich Prüfmaße  
Mit JE gekennzeichnete Maße sind nur für interne Zwecke gültig



a

b

Weitere Daten siehe KATALOG oder eKatalog  
additional data see CATALOG or eCATALOG  
www.wieland-electric.com  
eshop.wieland-electric.com

Teile-Nr. / part no.	Oberfläche / surface	Hergestellt aus / produced from
05.543.7201.0	vergoldet / gold-plated	05.543.7200.0
05.543.7201.7	vergoldet / gold-plated	05.543.7200.0
05.543.7202.0	versilbert / silver-plated	05.543.7200.0
05.543.7221.0	verzinkt / tin-plated	05.543.7200.0

Tolerierung Size ISO 14405 (E) / Tolerance system Size ISO 14405 (E).  
(This ISO-standard describes the envelope principle. According to the envelope principle the deviations of form and parallelism are limited by the size tolerances).

ja/yes  Stoffverbots- und Deklarationsliste nach WN 5020.010 ist einzuhalten.  
Conformity with Wieland document WN 5020.010 e (list of prohibited / declarable hazardous substances) to be declared!

Freitoleranz nach General tolerance DIN ISO 2768 - m  
CAD - Zeichnung, keine manuellen Änderungen CAD - drawing, no manual modifications allowed  
1. Verwendung: First Use:  
Blatt: 1 von 1 Sheet: 1 of 1

	/		Werkstoff / Material CuZn36 PB3	gezeichnet / drawn	Tag/Date	Name	Zeichnung Nr. / Drawing No. T 05.543.7221.0 01K	Index c
	/			Maßstab / Scale 5:1	24.01.2005	Postler		
Elektronische Freigabe Electronic Release							Maße in mm / Dimensions are in mm	

c	28.08.2023 /	Vol.	mm <sup>3</sup>	OfL./Srf.	mm <sup>2</sup>	Ersatz für / Replacement for:			
b	15.07.2015 /	Type				Benennung/Title STECKER mit Crimpanschluß 1,5 qmm male contact with crimp connection 1,5qmm			
a	25.09.2008 /								
Index	Datum / Blatt Date / Sheet					Änderung / Revision			